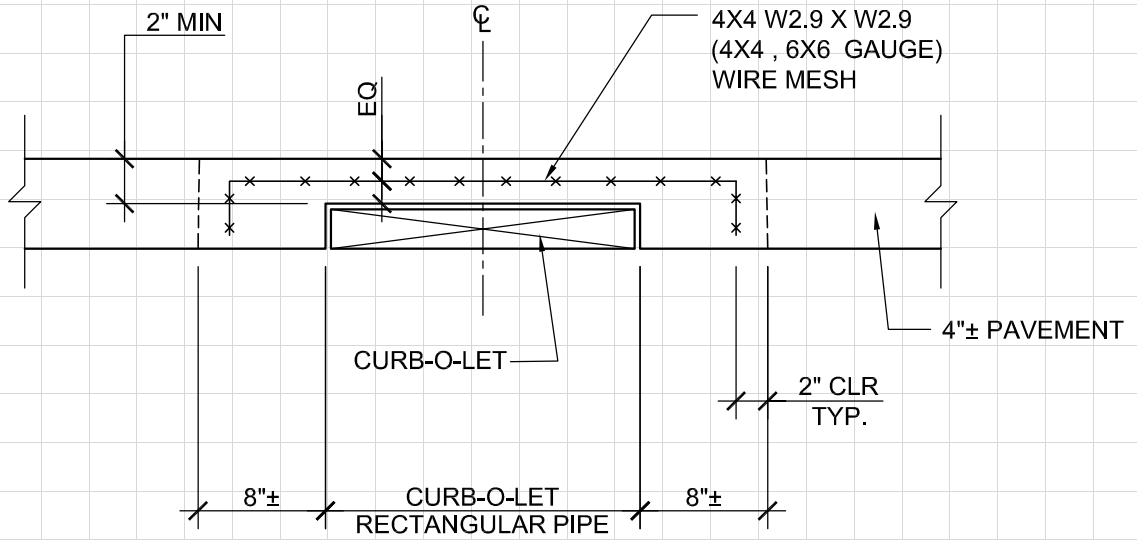


Project: CURB-O-LET  
Subject: \_\_\_\_\_

Job No. D305  
By. \_\_\_\_\_

Sheet: 1  
Date: \_\_\_\_\_



## TYPICAL SECTION OF RECTANGULAR PIPE INSTALLATION

SCALE: N.T.S.

