

APPROVED BY THE CITY OF LOS ANGELES
BUREAU OF ENGINEERING/PUBLIC WORKS

REVISIONS			
REV.	DESCRIPTION	DATE	APPROVED
A	RELEASE FOR PRODUCTION		
B	CHANGED WIDTH AND OPENING DIMS	9/21/16	
C	CLARIFIED DIMENSIONS	6-13-17	
D	ADDED CITY APPROVAL	07/07/17	

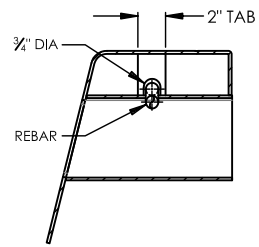
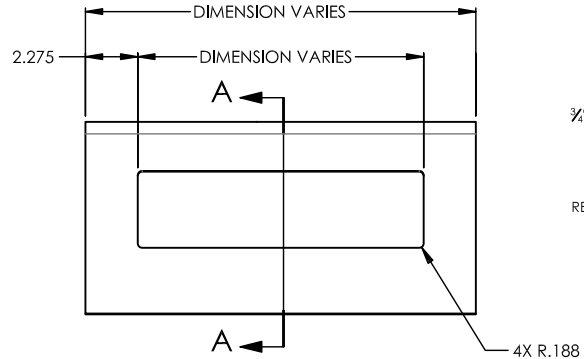
NOTES: UNLESS OTHERWISE SPECIFIED

1. MATERIAL: NOTED.
2. FINISH: AFTER ASSEMBLY.
3. ALL DIMENSIONS ARE IN INCHES UNLESS OTHERWISE SPECIFIED.

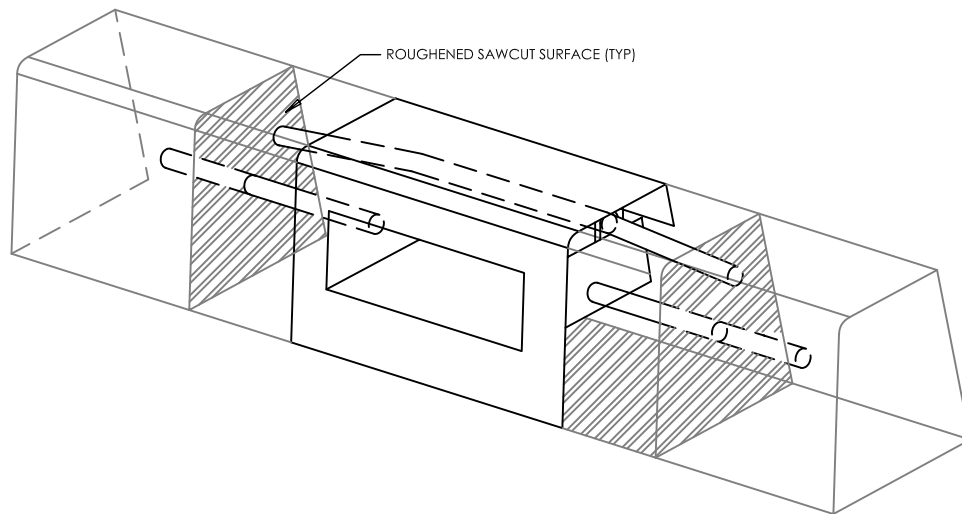
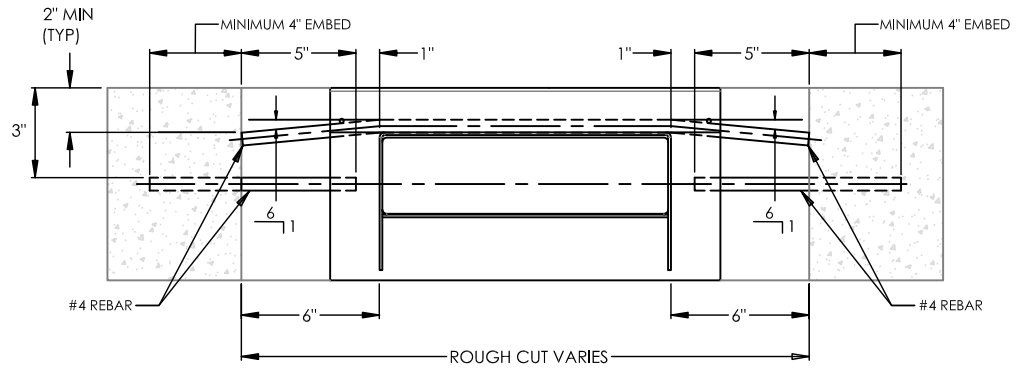
4. INSTALLATION: FOR 6 INCH CURB, INVERT OF CURB-O-LET TO BE 1/2 INCH ABOVE FLOW LINE ± 1/4 INCH, FOR 8 INCH CURBS, BOTTOM OF CURB-O-LET TO BE INBEDDED IN CONCRETE ± 1/4 INCH.
5. STAMP COMPANY NAME IN 3/4" HIGH LETTERS APPROXIMATELY WHERE SHOWN, .02-.04 DEEP.

"FOR RETROFIT PURPOSE ONLY"

2" MINIMUM CLEARANCE FOR BENT REBAR
3" DEPTH FOR EMBEDDED REBAR



SECTION A-A



CURB-O-LET		
TITLE:		
RETROFIT ASSEMBLY		
SIZE	DWG. NO.	REV
C	RETROFIT	D
SCALE: 1:4	WEIGHT:	SHEET 1 OF 1