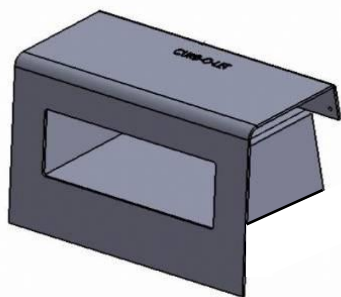
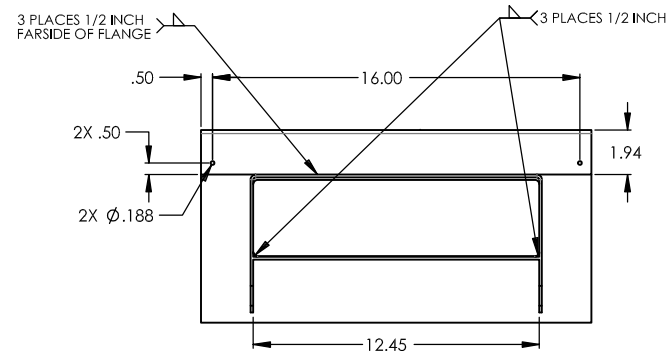
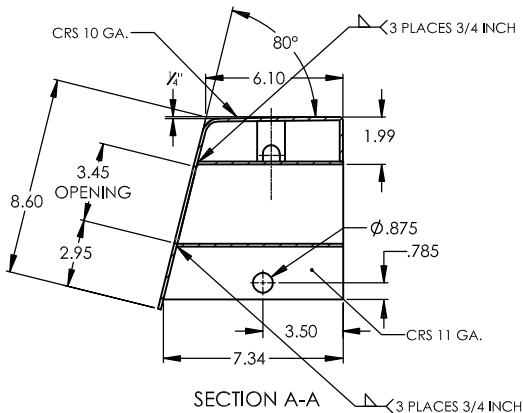
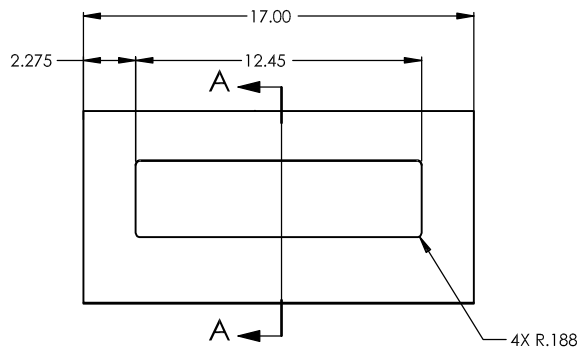
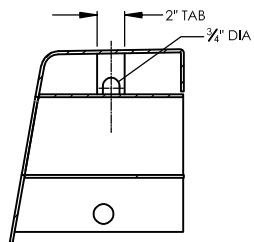


APPROVED BY THE CITY OF LOS ANGELES  
BUREAU OF ENGINEERING/PUBLIC WORKS

NOTES: UNLESS OTHERWISE SPECIFIED

1. MATERIAL: NOTED.
2. FINISH: AFTER ASSEMBLY.
3. ALL DIMENSIONS ARE IN INCHES UNLESS OTHERWISE SPECIFIED.
4. INSTALLATION: FOR 6 INCH CURB, INVERT OF CURB-O-LET TO BE 1/2 INCH ABOVE FLOW LINE ±1/4 INCH. FOR 8 INCH CURBS, BOTTOM OF CURB-O-LET TO BE INBEDDED IN CONCRETE ±1/4 INCH.
5. STAMP COMPANY NAME IN 1/2" HIGH LETTERS APPROXIMATELY WHERE SHOWN, .02-.04 DEEP.



ITEM NO.	PART NUMBER	DESCRIPTION	QTY.
1	TCD312-NS	COVER	1
	INCLUDED	BRACKET	1
	INCLUDED	PLATE	1

UNLESS OTHERWISE SPECIFIED:  
DIMENSIONS ARE IN INCHES  
TOLERANCES:  
FRACTIONAL ±  
ANGULAR: MACH ± BEND ±  
TWO PLACE DECIMAL ±  
THREE PLACE DECIMAL ±

	NAME	DATE	CURB-O-LET	
DRAWN	D.C.	08/13/16	TITLE:	
CHECKED			TCD312-NS ASSEMBLY	
ENG APPR.				
MFG APPR.				
Q.A.				
			SIZE DWG. NO.	REV
			C TCD312-NS	D
			SCALE: 1:4	WEIGHT: SHEET 1 OF 1

Curb-O-Let, Inc.  
9421 Monterey Ave.  
Bellflower, CA 90706

