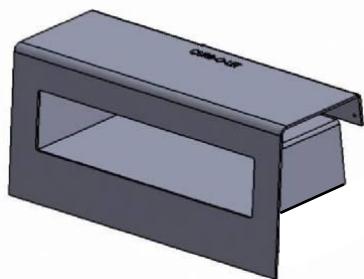
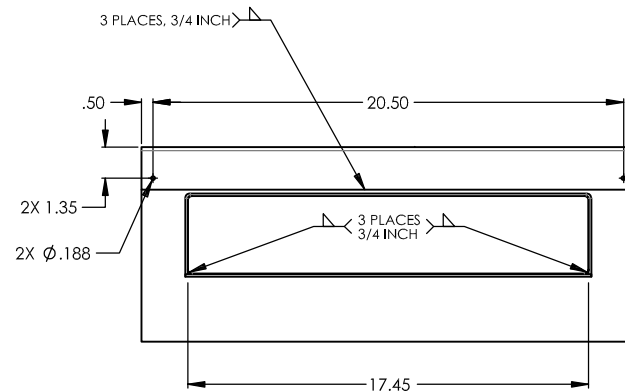
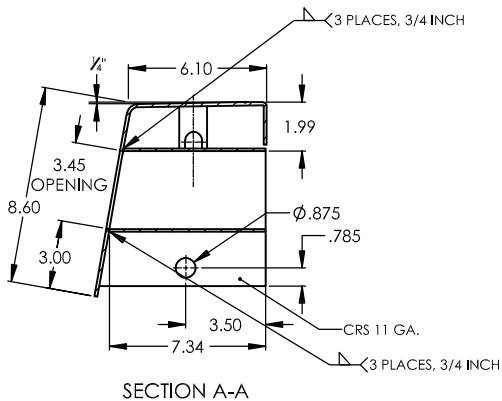
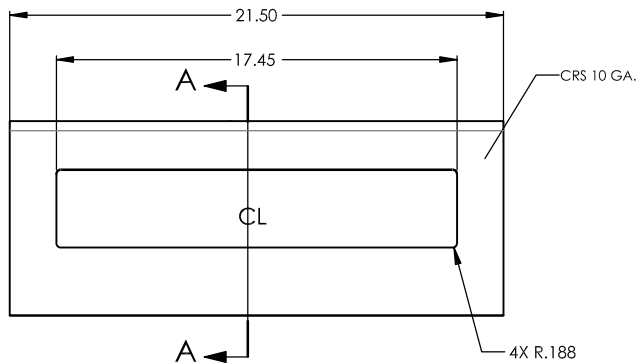
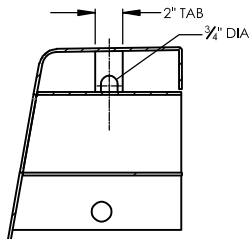


APPROVED BY THE CITY OF LOS ANGELES
BUREAU OF ENGINEERING/PUBLIC WORKS

NOTES: UNLESS OTHERWISE SPECIFIED

1. MATERIAL: NOTED.
2. FINISH: AFTER ASSEMBLY.
3. ALL DIMENSIONS ARE IN INCHES UNLESS OTHERWISE SPECIFIED.

4. INSTALLATION: FOR 6 INCH CURB, INVERT OF CURB-O-LET TO BE 1/2 INCH ABOVE FLOW LINE ± 1/4 INCH. FOR 8 INCH CURBS, BOTTOM OF CURB-O-LET TO BE INBEDDED IN CONCRETE ± 1/4 INCH.
5. STAMP COMPANY NAME IN 1/2" HIGH LETTERS APPROXIMATELY WHERE SHOWN, .02-.04 DEEP.



| ITEM NO. | PART NUMBER | DESCRIPTION | QTY. |
|----------|-------------|-------------|------|
| 1 | TCD317-NS | COVER | 1 |
| | INCLUDED | BRACKET | 1 |
| | INCLUDED | PLATE | 1 |

UNLESS OTHERWISE SPECIFIED:
DIMENSIONS ARE IN INCHES
TOLERANCES:
FRACTIONAL ±
ANGULAR: MACH ± BEND ±
TWO PLACE DECIMAL ±
THREE PLACE DECIMAL ±

| | NAME | DATE | CURB-O-LET | |
|-----------|------|----------|--------------------|-----------|
| DRAWN | D.C. | 08/13/16 | TITLE: | |
| CHECKED | | | TCD317-NS ASSEMBLY | |
| ENG APPR. | | | SIZE | DWG. NO. |
| MFG APPR. | | | C | TCD317-NS |
| Q.A. | | | SCALE: 1:4 | WEIGHT: |
| | | | SHEET 1 OF 1 | REV |
| | | | | D |

Curb-O-Let, Inc.
9421 Monterey Ave.
Bellflower, CA 90706

