

APPROVED BY THE CITY OF LOS ANGELES  
BUREAU OF ENGINEERING/PUBLIC WORKS

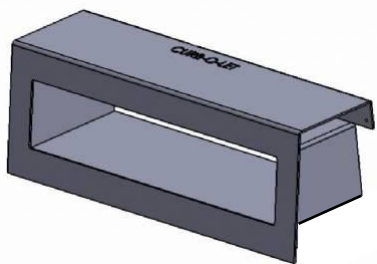
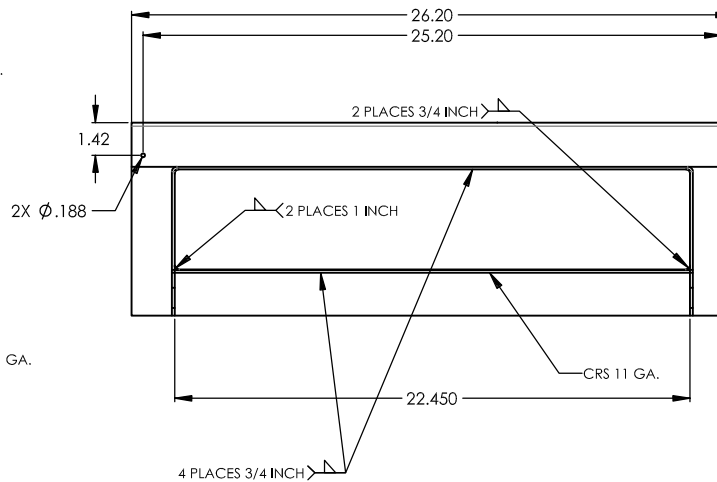
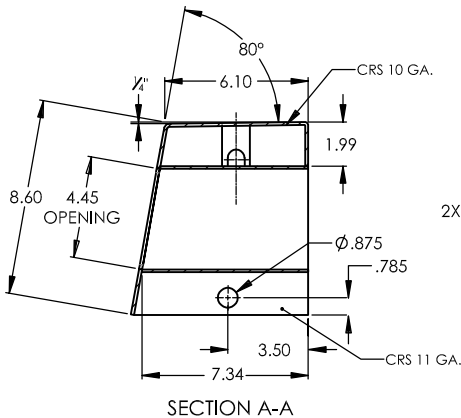
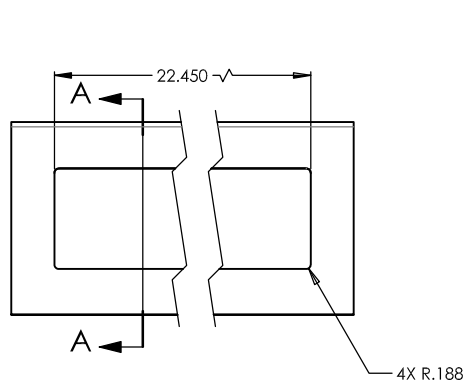
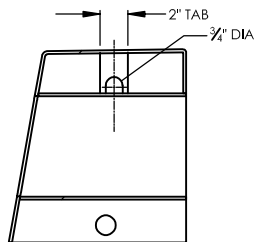
"FOR USE ON 8" CURB ONLY"

NOTES: UNLESS OTHERWISE SPECIFIED

1. MATERIAL: NOTED.
2. FINISH: AFTER ASSEMBLY.
3. ALL DIMENSIONS ARE IN INCHES UNLESS OTHERWISE SPECIFIED.

4. INSTALLATION: FOR 8 INCH CURB.  
BOTTOM OF CURB-O-LET TO BE INBEDDED IN CONCRETE ± 1/4 INCH.

5. STAMP COMPANY NAME IN 1/2" HIGH LETTERS APPROXIMATELY  
WHERE SHOWN, .02-.04 DEEP.



ITEM NO.	PART NUMBER	DESCRIPTION	QTY.
1	TCD422-NS	COVER	1
	INCLUDED	BRACKET	1
	INCLUDED	PLATE	1

UNLESS OTHERWISE SPECIFIED:  
DIMENSIONS ARE IN INCHES  
TOLERANCES:  
FRACTIONAL ±  
ANGULAR: MACH ± BEND ±  
TWO PLACE DECIMAL ±  
THREE PLACE DECIMAL ±

NAME		DATE	CURB-O-LET	
DRAWN	D.C.	08/13/16	TITLE:	
CHECKED			TCD422-NS ASSEMBLY	
ENG APPR.			SIZE	DWG. NO.
MFG APPR.			C	TCD422-NS
Q.A.			SCALE: 1:4	WEIGHT:
				SHEET 1 OF 1

Curb-O-Let, Inc.  
9421 Monterey Ave.  
Bellflower, CA 90706

