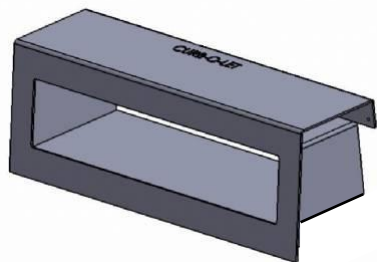
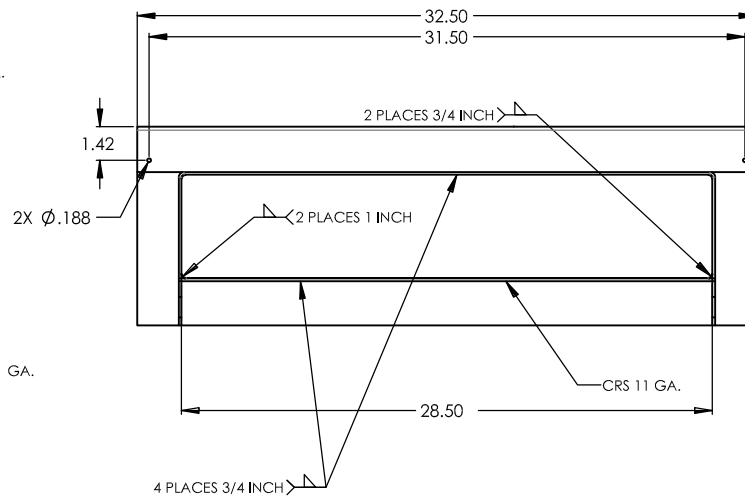
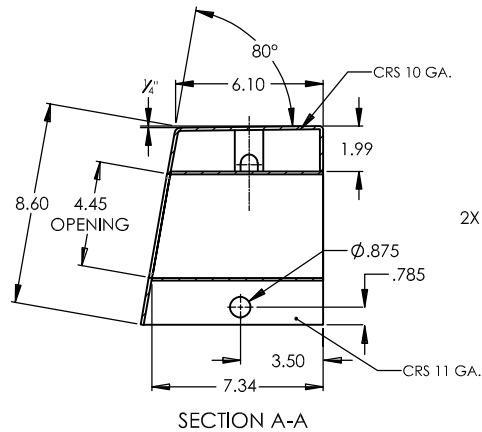
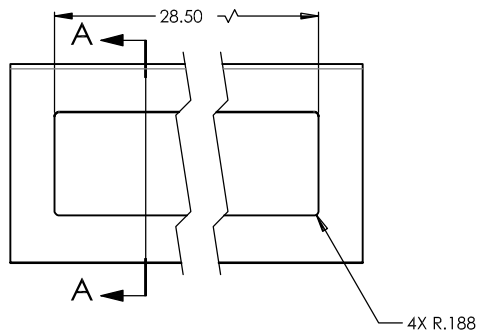
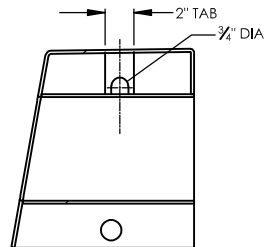


APPROVED BY THE CITY OF LOS ANGELES  
BUREAU OF ENGINEERING/PUBLIC WORKS

NOTES: UNLESS OTHERWISE SPECIFIED

1. MATERIAL: NOTED.
2. FINISH: AFTER ASSEMBLY.
3. ALL DIMENSIONS ARE IN INCHES UNLESS OTHERWISE SPECIFIED.
4. INSTALLATION: FOR 8 INCH CURB.  
BOTTOM OF CURB-O-LET TO BE INBEDDED IN CONCRETE ±1/4 INCH.
5. STAMP COMPANY NAME IN 1/2" HIGH LETTERS APPROXIMATELY WHERE SHOWN, .02-.04 DEEP.



ITEM NO.	PART NUMBER	DESCRIPTION	QTY.
1	TCD428-NS	COVER	1
	INCLUDED	BRACKET	1
	INCLUDED	PLATE	1

UNLESS OTHERWISE SPECIFIED: DIMENSIONS ARE IN INCHES TOLERANCES: FRACTIONAL ± ANGULAR: MACH ± BEND ± TWO PLACE DECIMAL ± THREE PLACE DECIMAL ±		<table border="1"> <tr> <th>NAME</th> <th>DATE</th> </tr> <tr> <td>DRAWN</td> <td>D.C. 08/13/16</td> </tr> <tr> <td>CHECKED</td> <td></td> </tr> <tr> <td>ENG APPR.</td> <td></td> </tr> <tr> <td>MFG APPR.</td> <td></td> </tr> <tr> <td>Q.A.</td> <td></td> </tr> </table>	NAME	DATE	DRAWN	D.C. 08/13/16	CHECKED		ENG APPR.		MFG APPR.		Q.A.		<table border="1"> <tr> <th colspan="2">CURB-O-LET</th> </tr> <tr> <td colspan="2">TITLE:</td> </tr> <tr> <td colspan="2">TCD428-NS ASSEMBLY</td> </tr> <tr> <td>SIZE</td> <td>DWG. NO.</td> </tr> <tr> <td>C</td> <td>TCD428-NS</td> </tr> <tr> <td>SCALE: 1:4</td> <td>WEIGHT:</td> </tr> <tr> <td></td> <td>SHEET 1 OF 1</td> </tr> </table>	CURB-O-LET		TITLE:		TCD428-NS ASSEMBLY		SIZE	DWG. NO.	C	TCD428-NS	SCALE: 1:4	WEIGHT:		SHEET 1 OF 1
NAME	DATE																												
DRAWN	D.C. 08/13/16																												
CHECKED																													
ENG APPR.																													
MFG APPR.																													
Q.A.																													
CURB-O-LET																													
TITLE:																													
TCD428-NS ASSEMBLY																													
SIZE	DWG. NO.																												
C	TCD428-NS																												
SCALE: 1:4	WEIGHT:																												
	SHEET 1 OF 1																												

Curb-O-Let, Inc.  
9421 Monterey Ave.  
Bellflower, CA 90706

