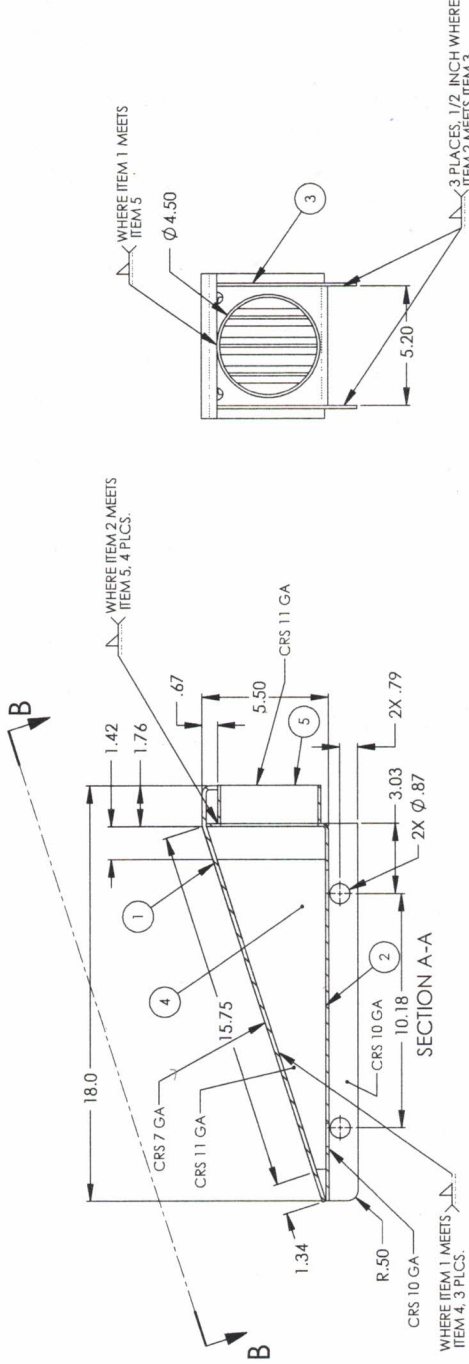


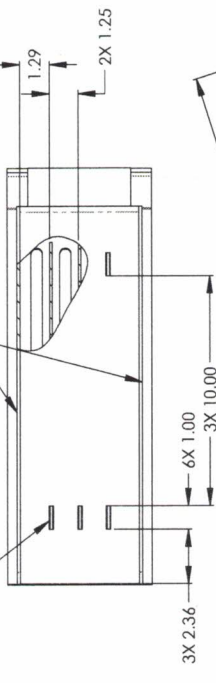
REV	DESCRIPTION	DATE	APPROVED
X	PRELIMINARY RELEASE		

1. MATERIAL: NOTED.
 2. FINISH: AFTER ASSMBLY.
 3. ALL DIMENSIONS ARE IN INCHES UNLESS OTHERWISE SPECIFIED.
- △ INSTALLATION: FOR 6 INCH CURB. INVERT OF CURB-O-LET TO BE 1/2 INCH ABOVE FLOW LINE ± 1/4 INCH. FOR 8 INCH CURBS. BOTTOM OF CURB-O-LET TO BE INBEDDED IN CONCRETE ± 1/4 INCH.
- △ STAMP COMPANY NAME IN 3/4" HIGH LETTERS APPROXIMATELY WHERE SHOWN .02-.04 DEEP.



WHERE ITEM 2 MEETS ITEM 4, 3 PLCS. ALL SLOTS

WHERE ITEM 1 MEETS ITEM 3



ITEM NO.	DESCRIPTION	QTY.
1	TOP	1
2	BASE	1
3	SIDE PLATE	2
4	BAFFLE PLATE	3
5	TUBE	1

NAME	DATE
D.C.	04/27/17

UNLESS OTHERWISE SPECIFIED:

CONFORMS TO AISC	DESIGNED
FUNCTIONAL	CHECKED
NO PLACE DECIMAL	ENG APPR
THREE PLACE DECIMAL	MFG APPR
INVERT GEOMETRIC	D.A.
VERTICAL	COMMENTS:
FINISH	

DO NOT SCALE DRAWING

APPLICATOR	DATE

PROPERTY AND CONSTRUCTION OF THIS DRAWING IS THE SOLE PROPERTY OF CURB-O-LET. NO PART OF THIS DRAWING IS TO BE REPRODUCED OR TRANSMITTED IN ANY FORM OR BY ANY MEANS WITHOUT THE WRITTEN PERMISSION OF CURB-O-LET.

REV	DESCRIPTION	DATE	APPROVED
X	PRELIMINARY RELEASE		

SCALE: 1/4" = 1"

SHEET 1 OF 1

NEW CURB-O-LET 18 INCH ASSEMBLY

CURB-O-LET

9421 Monterey Ave. Bellflower, CA 90706

Thru The Curb Drain

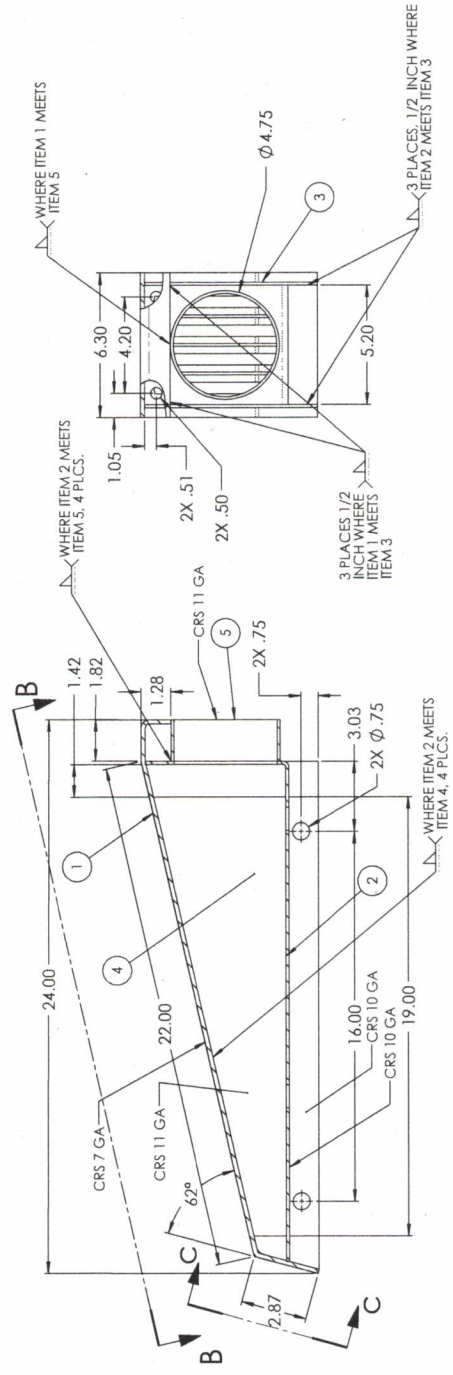
Curb-O-Let

REV	DESCRIPTION	DATE	APPROVED
A	RELEASE FOR PRODUCTION		

1. MATERIAL NOTED.
 2. FINISH: AFTER ASSEMBLY.
 3. ALL DIMENSIONS ARE IN INCHES UNLESS OTHERWISE SPECIFIED.

▲ INSTALLATION: FOR 6 INCH CURB, INVERT OF CURB-O-LET TO BE 1/2 INCH ABOVE FLOW LINE ± 1/4 INCH, FOR 8 INCH CURBS, BOTTOM OF CURB-O-LET TO BE INBEDDED IN CONCRETE ± 1/4 INCH.

▲ STAMP COMPANY NAME IN 3/4" HIGH LETTERS APPROXIMATELY WHERE SHOWN .02-.04 DEEP.



WHERE ITEM 1 MEETS ITEM 5

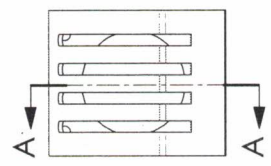
WHERE ITEM 2 MEETS ITEM 5, 4 PLCS.

WHERE ITEM 2 MEETS ITEM 3

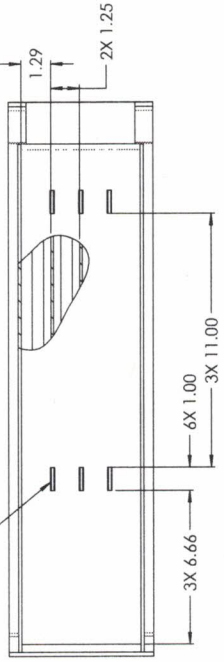
3 PLACES 1/2 INCH WHERE ITEM 1 MEETS ITEM 3

WHERE ITEM 2 MEETS ITEM 4, 4 PLCS.

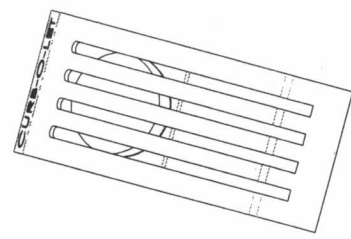
WHERE ITEM 2 MEETS ITEM 4, 3 PLCS. ALL SLOTS



SECTION A-A



SECTION B-B



SECTION C-C

ITEM NO.	DESCRIPTION	QTY.
1	TOP	1
2	BASE	1
3	SIDE	2
4	BAFFLE PLATE	3
5	TUBE 4-INCH	1

NAME	DATE
DRAWN	10/22/18
CHECKED	
ENG APPR	
MFG APPR	
G.A.	

UNLESS OTHERWISE SPECIFIED:
DIMENSIONS ARE IN INCHES
FRACTIONAL DIMENSIONS ARE IN INCHES
DECIMAL DIMENSIONS ARE IN INCHES
UNLESS OTHERWISE SPECIFIED, MATERIAL SHALL BE AS SHOWN
UNLESS OTHERWISE SPECIFIED, FINISH SHALL BE AS SHOWN
UNLESS OTHERWISE SPECIFIED, TOLERANCES SHALL BE AS SHOWN
UNLESS OTHERWISE SPECIFIED, SURFACE FINISH SHALL BE AS SHOWN
UNLESS OTHERWISE SPECIFIED, MATERIAL SHALL BE AS SHOWN
UNLESS OTHERWISE SPECIFIED, FINISH SHALL BE AS SHOWN
UNLESS OTHERWISE SPECIFIED, TOLERANCES SHALL BE AS SHOWN
UNLESS OTHERWISE SPECIFIED, SURFACE FINISH SHALL BE AS SHOWN

DO NOT SCALE DRAWING
SCALE: 1:4
WEIGHT: 1
SHEET 1 OF 1

DESCRIPTION	QTY.
CURB-O-LET	1
24 INCH WITH 4 INCH O.D. OUTLET	1

SIZE	IDWG. NO.	REV
C	RC 4-24	A

UNLESS OTHERWISE SPECIFIED:	
DRAWN	10/22/18
CHECKED	
ENG APPR	
MFG APPR	
G.A.	

DO NOT SCALE DRAWING
SCALE: 1:4
WEIGHT: 1
SHEET 1 OF 1

Curb-O-Let
Through The Curb Design

Curb-O-Let, Inc.
 9421 Monterey Ave.
 Bellflower, CA 90706