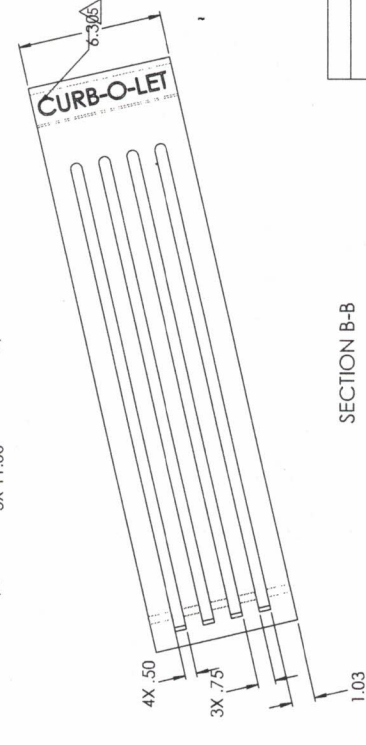
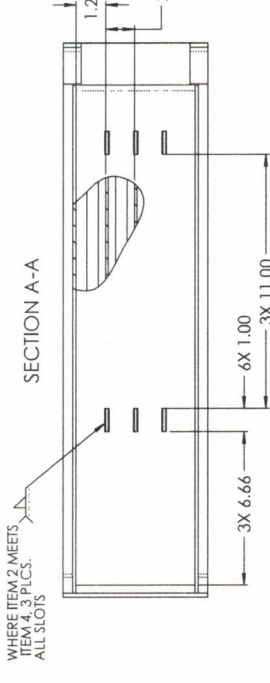
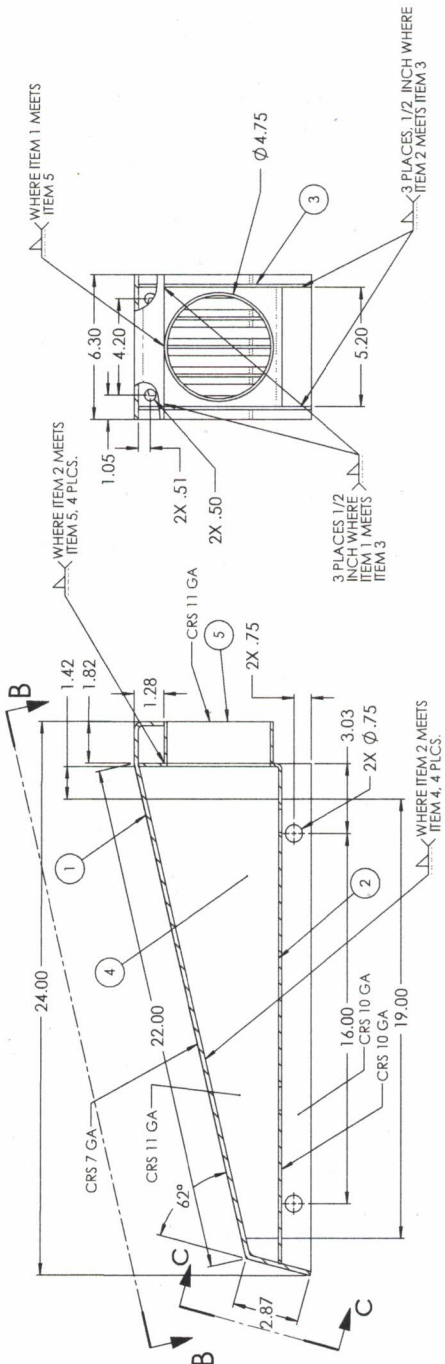


REV.	DESCRIPTION	DATE	APPROVED
A	RELEASE FOR PRODUCTION		

- 1. MATERIAL: NOTED.
- 2. FINISH: AFTER A SMBLY.
- 3. ALL DIMENSIONS ARE IN INCHES UNLESS OTHERWISE SPECIFIED.
- △ INSTALLATION: FOR 6 INCH CURB, INVERT OF CURB-O-LET TO BE 1/2 INCH ABOVE FLOW LINE ± 1/4 INCH, FOR 8 INCH CURBS, BOTTOM OF CURB-O-LET TO BE INBEDDED IN CONCRETE ± 1/4 INCH.
- △ STAMP COMPANY NAME IN 3/4" HIGH LETTERS APPROXIMATELY WHERE SHOWN .02-.04 DEEP.



SECTION C-C



ITEM NO.	DESCRIPTION	QTY.
1	TOP	1
2	BASE	1
3	SIDE	2
4	BAFFLE PLATE	3
5	TUBE 4 INCH	1

NAME	DATE	TITLE
	04/27/18	CURB-O-LET
DRAWN		
CHECKED		
ENG APPR		
MEG APPR		
G.A.		
COMMENTS		
UNLESS OTHERWISE SPECIFIED		
DIMENSIONS ARE IN INCHES		
FRACTIONS ARE TO BE PLACED IN THE NUMERATOR		
TWO PLACE DECIMALS TO BE PLACED IN THE DENOMINATOR		
TOLERANCES UNLESS OTHERWISE SPECIFIED		
FINISH		
DC: NOT SCALE DRAWING		

Curb-O-Let, Inc.
 9421 Monterey Ave.
 Bellflower, CA 90706

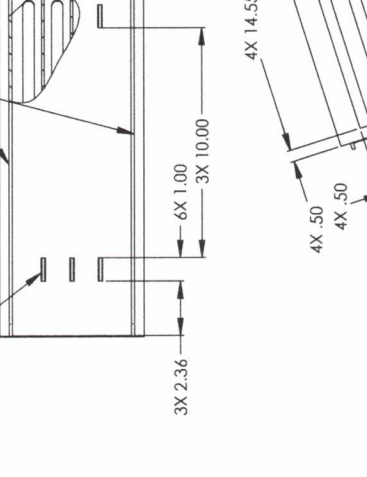
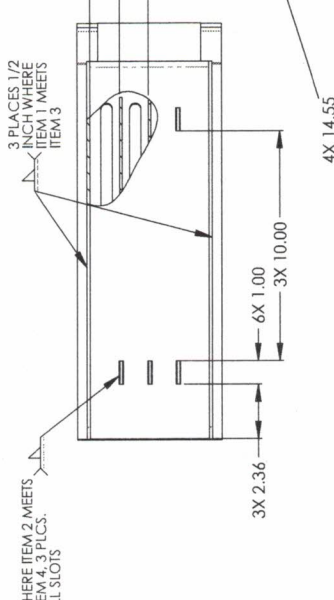
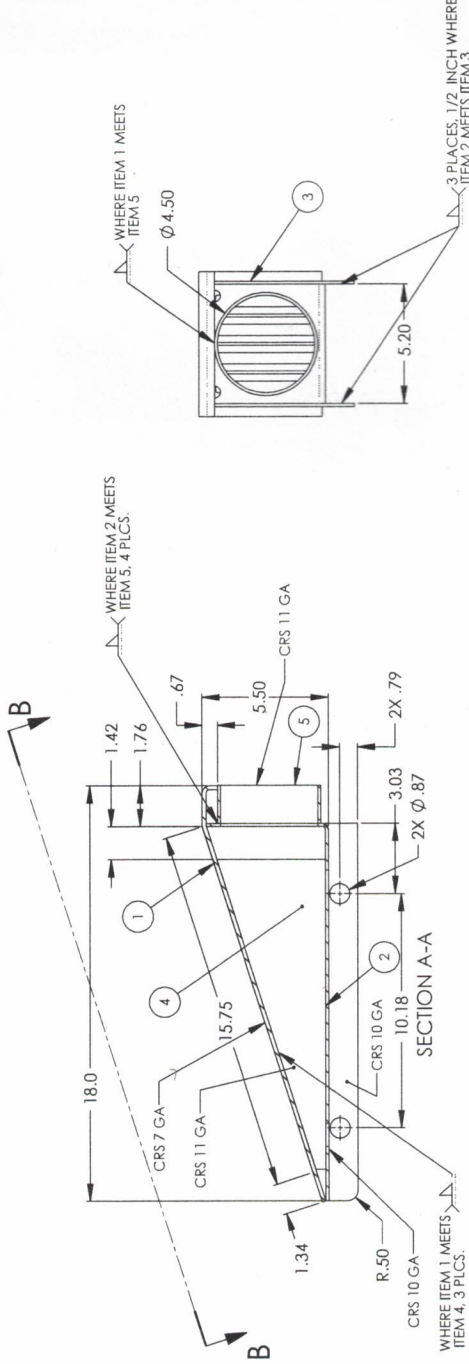


PROPERTY AND CONFIDENTIALITY OF THIS DRAWING IS THE SOLE PROPERTY OF CURB-O-LET. NO PART OF THIS DRAWING OR THE INFORMATION CONTAINED HEREIN IS TO BE REPRODUCED OR TRANSMITTED IN ANY FORM OR BY ANY MEANS WITHOUT THE WRITTEN PERMISSION OF CURB-O-LET.

SIZE	DWG. NO.	RC 4-24
SCALE	1:4	WEIGHT:
APPLICATION		SHEET 1 OF 1

REV.	DESCRIPTION	DATE	APPROVED
X	PRELIMINARY RELEASE		

- 1. MATERIAL: NOTED.
- 2. FINISH: AFTER ASSEMBLY.
- 3. ALL DIMENSIONS ARE IN INCHES UNLESS OTHERWISE SPECIFIED.
- △ INSTALLATION: FOR 6 INCH CURB, INVERT OF CURB-O-LET TO BE 1/2 INCH ABOVE FLOW LINE ± 1/4 INCH, FOR 8 INCH CURBS, BOTTOM OF CURB-O-LET TO BE INBEDDED IN CONCRETE ± 1/4 INCH.
- △ STAMP COMPANY NAME IN 3/4" HIGH LETTERS APPROXIMATELY WHERE SHOWN .02-.04 DEEP.



ITEM NO.	DESCRIPTION	QTY.
1	TOP	1
2	BASE	1
3	SIDE PLATE	2
4	BAFFLE PLATE	2
5	TUBE	3

NAME	DATE	SCALE	REV.
D.L.C.	10/27/17	1:1	X

UNLESS OTHERWISE SPECIFIED:	FINISH	DATE	SCALE	REV.
FOR BRANCHES TO BRANCHES	FINISH	DATE	SCALE	REV.
FOR BRANCHES TO MAINLINE	FINISH	DATE	SCALE	REV.
FOR MAINLINE TO MAINLINE	FINISH	DATE	SCALE	REV.



Curb-O-Let, Inc.
9421 Monterey Ave.
Bellflower, CA 90706